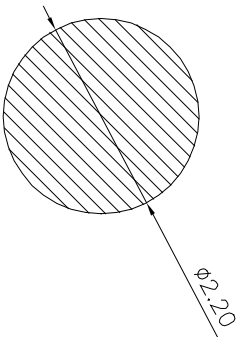
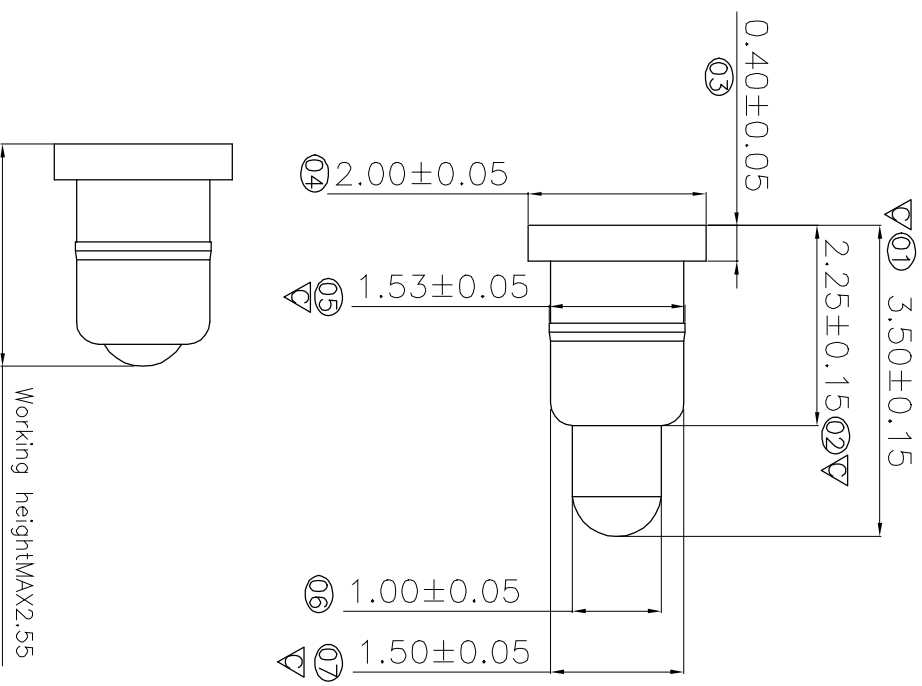


NOTE:

- 1. Material
.Plunger: Brass
- 2. Plating
.Contact surface:1u" minimum Au over 80~100u" Ni
- 3. Electrical
.Rated Current & Voltage: DC 12V; AC 1~1.65A,24H
.Contact Resistance: 25mΩ maximum
- 4. RoHS COMPLETED PRODUCT.
- 5. Elasticity: Stroke 0mm:10gf Stroke 0.25mm:50gf Stroke 0.90mm
(or fully compressed):100~150gf
- 6. Life (Million): stroke range Max0.5~4mm,根据Pin的总类不一样Max. Stroke 10000次 Touch down后重量变化 0.5gf以内Creep变形最小化
- 7. Temperature: -40度~150度
- 8. Use: 电子摄影: 通电; 手机: 天线、接地、 电池接触。



PCB LAYOUT

Layout Tolerance: $\pm 0.20\text{mm}$

DIM	TOL	DIM	TOL
X	± 0.20	X	3'
X.X	± 0.15	X.X'	
X.XX	± 0.10	X.XX'	

Spring Probe 		深圳市泰科汉泽精密电子有限公司 Tyco Hancorn Precision Electronics	
DRAW NO.:	DATE	MATERIAL: Brass C3604	DRAW NAME:
DESIGN: 譚立強	2012.02.13	FINISH: Au1~3u", Ni, 80~120u"	SPE TABLE
CHECK:	FILE:	P/N: SEE TABLE	UNIT: mm
REVIEW:	REV. A0	SCALE N/A	SHEET: 1/1