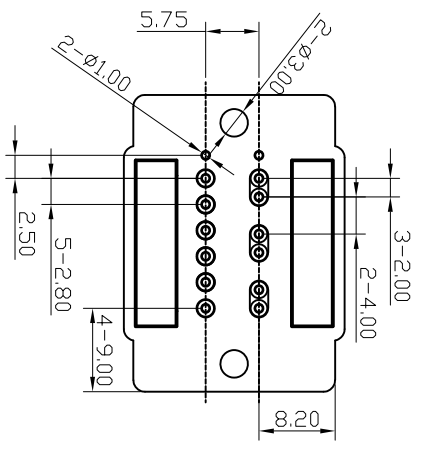
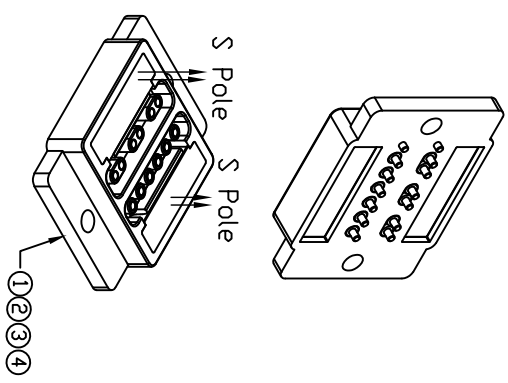
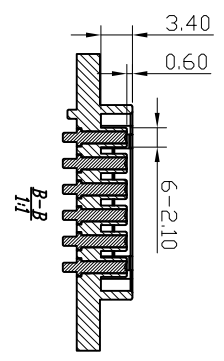
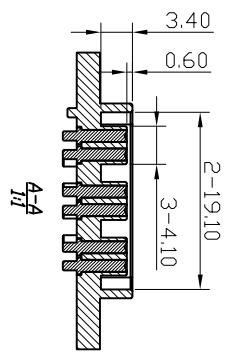
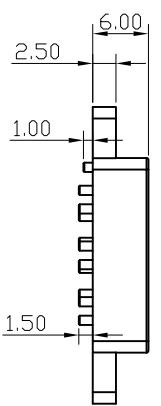
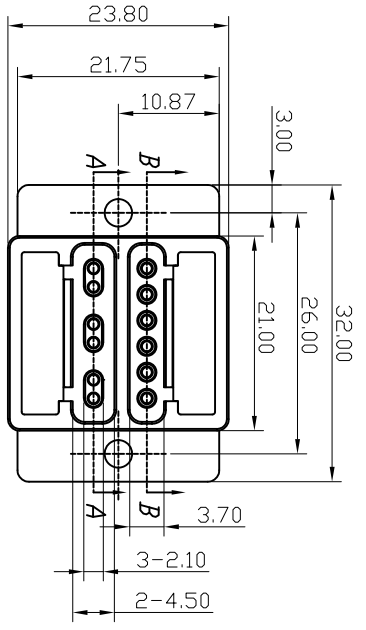




REV	ECN NO.	DETAILS	BY	DATE
1				
2				
3				



Item	Part Name	Q'TY	Material	Finish	Remarks
1	Female bracket	1pcs	PA9T	.....	White
2	Pin	12pcs	Leaded Brass	Gold 0.075um min plated over 1.25-3.0um Nickel	ø1.8*6.9
3	Magnet	2pcs	N52	Nickel 50um min plated	18.0*4.5*5.0
4	Steel sheet	2pcs	Stainless steel	.....	17.5*4.50*0.20

\*UNLESS OTHERWISE STATED  
ALL DIMENSIONS ARE IN  
MILLIMETRES  
LINEAR TOLERANCE:  
X:±0.20, Y:±0.15, XX:±0.10  
X\*:±2°, X\*:±0.5°  
Pomagtor  
Website:www.pomagtor.net

Technical Specification:  
1.0 Rated voltage (PIN contact): 250Volts  
2.0 Rated current (PIN contact): 5A maximum  
3.0 Operating temperature range: -30~85°  
4.0 is marked with "\*" as a key dimension.

**POMAGTOR**  
POGO PIN - 16 YEARS OF PROFESSIONAL  
Magnetic connection-professional for customization

TITLE	Female magnetic connector	REV	A0	DRAWN BY	CHECKED BY	APPROVED BY
SPEC	TK2PIn-1/F White	SCALE	1	ShenYanWU	HongJunHu	dingSongde
PART NO	RD91.HHJ0210922-002	UNIT	mm	DATE	21/09/22	SHEET
VEIW ANGLE						1 of 1