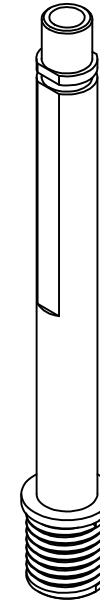
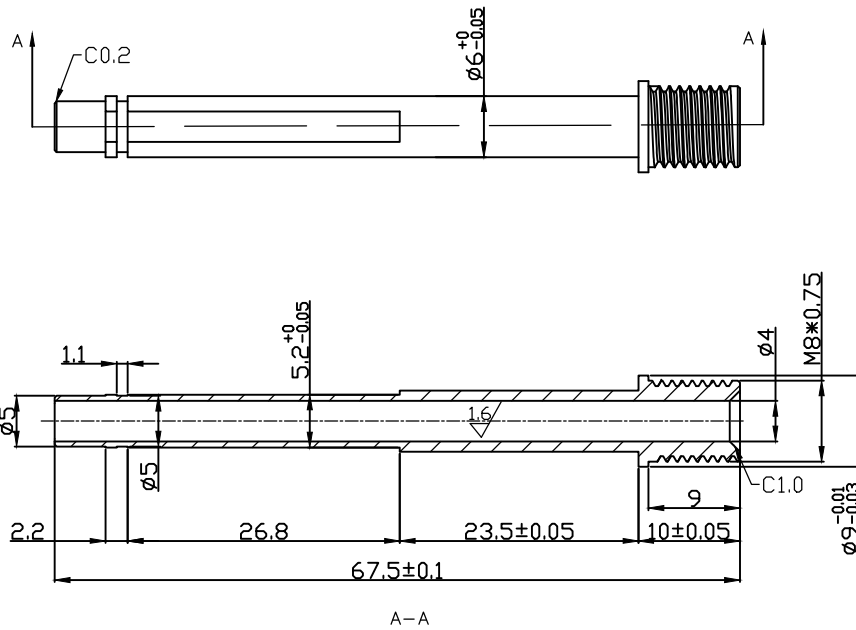


ROHS
Executive
Pb

REV	ECN NO.	DETAILS	BY	DATE
A0	-	new version release	XFY	2022.04.26



注释:

1. 材质: SUS304
2. 工件去毛刺、内孔不得有残渣
3. 螺纹处不得有毛刺
4. 未注公差 $\pm 0.03\text{mm}$
5. 产品的光滑度未标识部位均为: $3.2/\sqrt{\quad}$

*UNLESS OTHERWISE STATED
ALL DIMENSIONS ARE IN
MILLIMETRES
LINEAR TOLERANCE:
X, ± 0.20 .X, ± 0.15 .XX, ± 0.10
X*, $\pm 2^{\circ}$.X*, $\pm 0.5^{\circ}$
Pomagtor
Website: www.pomagtor.net

POMAGTOR

POGO PIN - 16 YEARS OF PROFESSIONAL
Magnetic connection-professional for customization

TITLE	零件名称 YB-30SJT-00-01	REV	A0	DRAWN BY	CHECKED BY	APPROVED BY
SPEC	$\phi 9 \times 67.5$	SCALE	1			
PART NO	RD75.ZMJ20220425-08	UNIT	mm			
VEIW ANGLE		DATE	2022/ 04/26			
		SHEET	1 of 1			